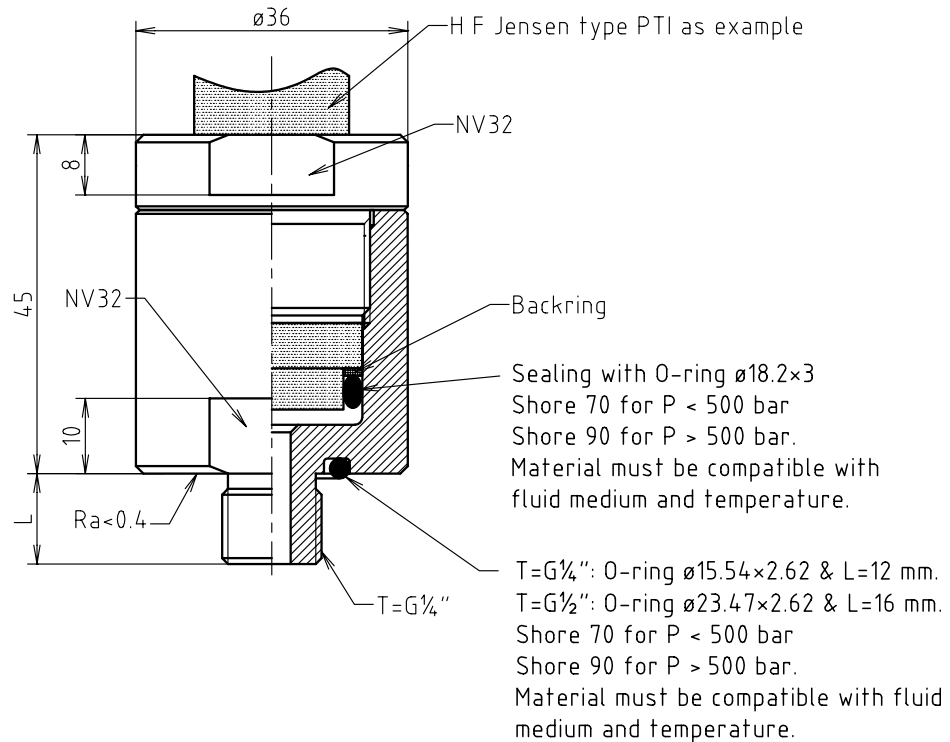
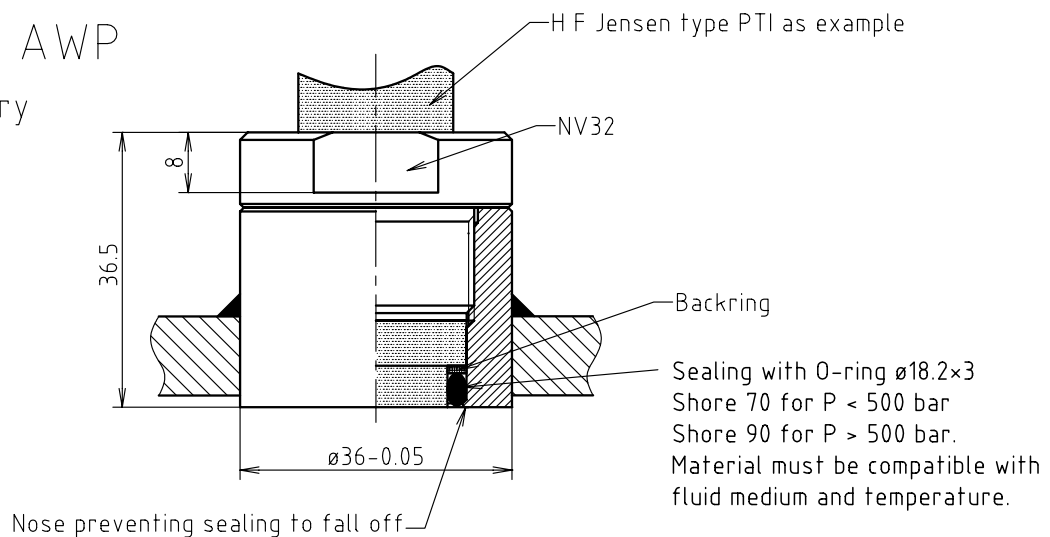


# ADAPTORS FOR PRESSURE TRANSDUCERS TYPE PTA, PTI AND PS

Type AP  
Threaded



Type AWP  
Sanitary



## SPECIFICATIONS

<b>Pressure range</b>	Max. 1000 bar
<b>Material</b>	Stainless steel 1.4057
<b>Connections</b>	G ¼", G ½" and flush (welded)

## INSTALLATION

Place the transducer in the adaptor and tighten the nut. If the system is exposed to vibrations or is sensing dynamic pressure the nut should be secured with a locking adhesive. For dynamic pressure over 200 bar we recommend a back ring behind the O-ring to support it. Following these instructions you will have a tight installation with a minimum influence on zero-shift and change in sensitivity.

## ORDERING INFORMATION

AP x

— G1/4: G ¼" threaded pressure connection  
— G1/2: G ½" threaded pressure connection

AWP

Welded pressure connection for flush mounted transducer (sanitary)